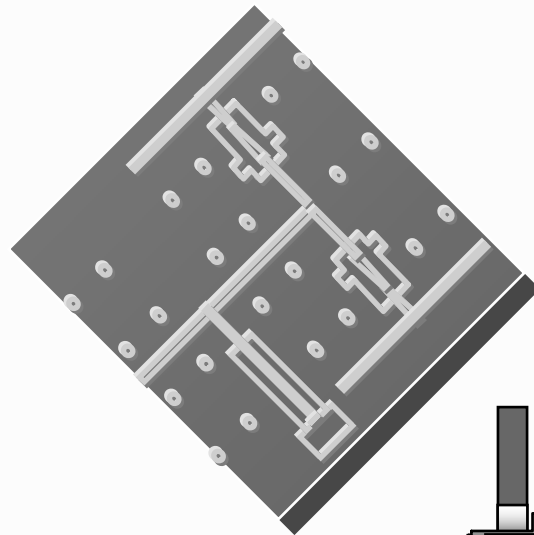
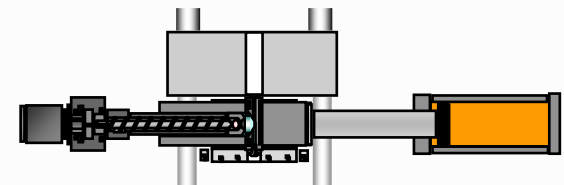
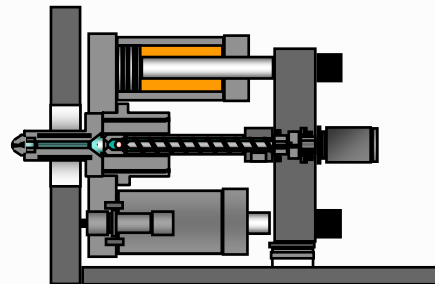
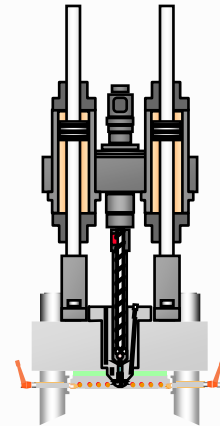
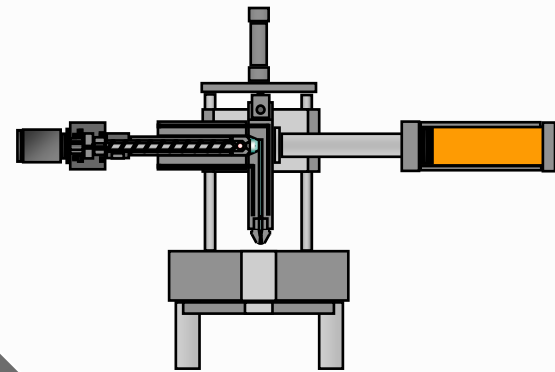


DIESMA

Technical Presentation



Injection Units



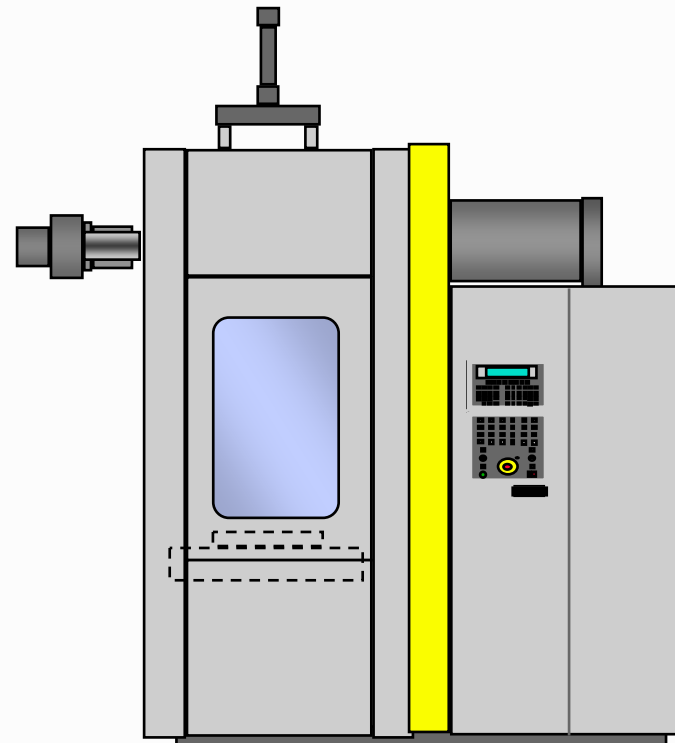
Injection units

- **System: A**
- **System: B**
- **System: C**
- **System: D - New**

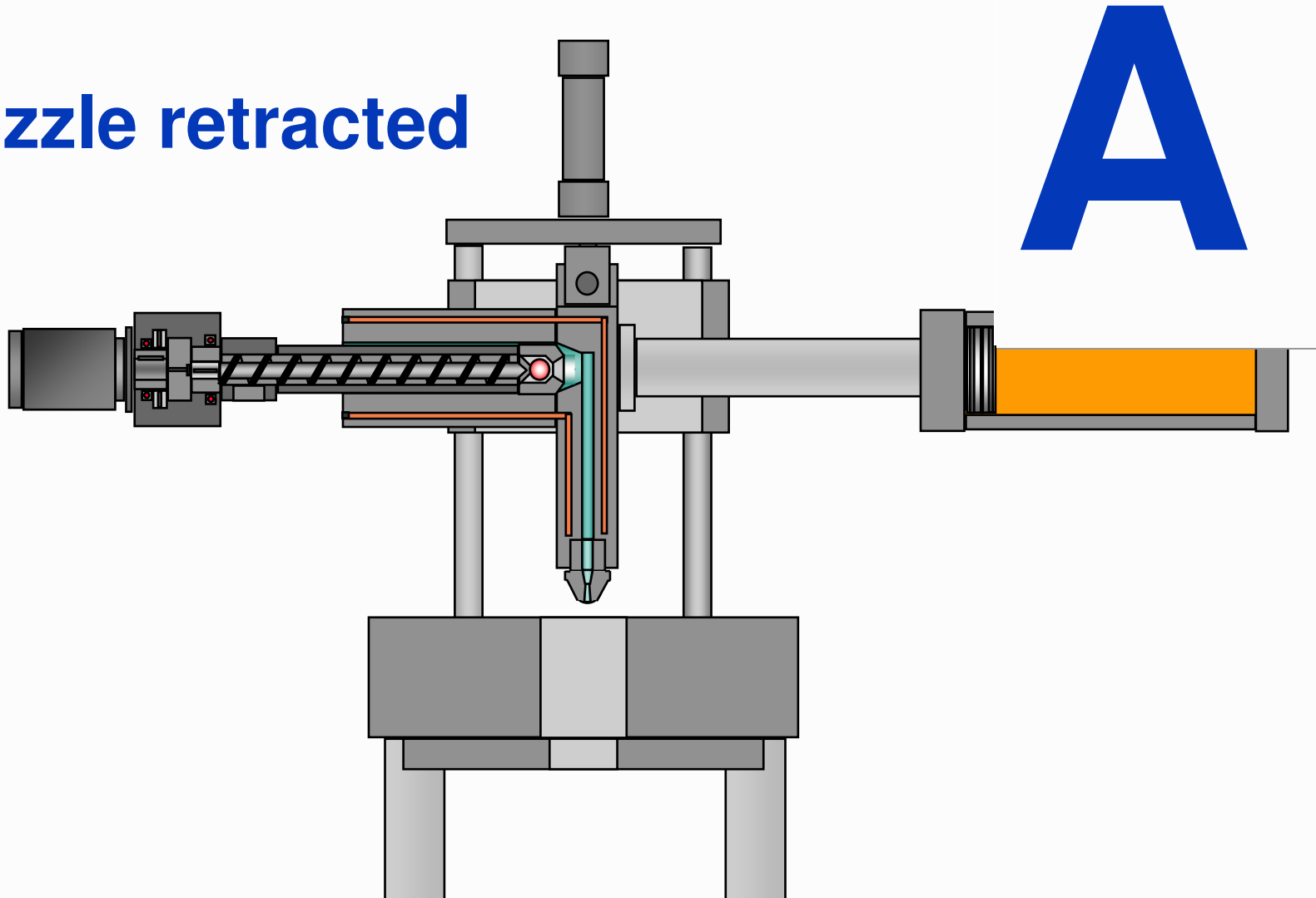
FIFO - System: A

Pat.No.40 38 843

- for machine series
968.100 - 1000-ZO
- injection volume 350
- 16000 cm³
- injection pressure 1700
- 2000 bar

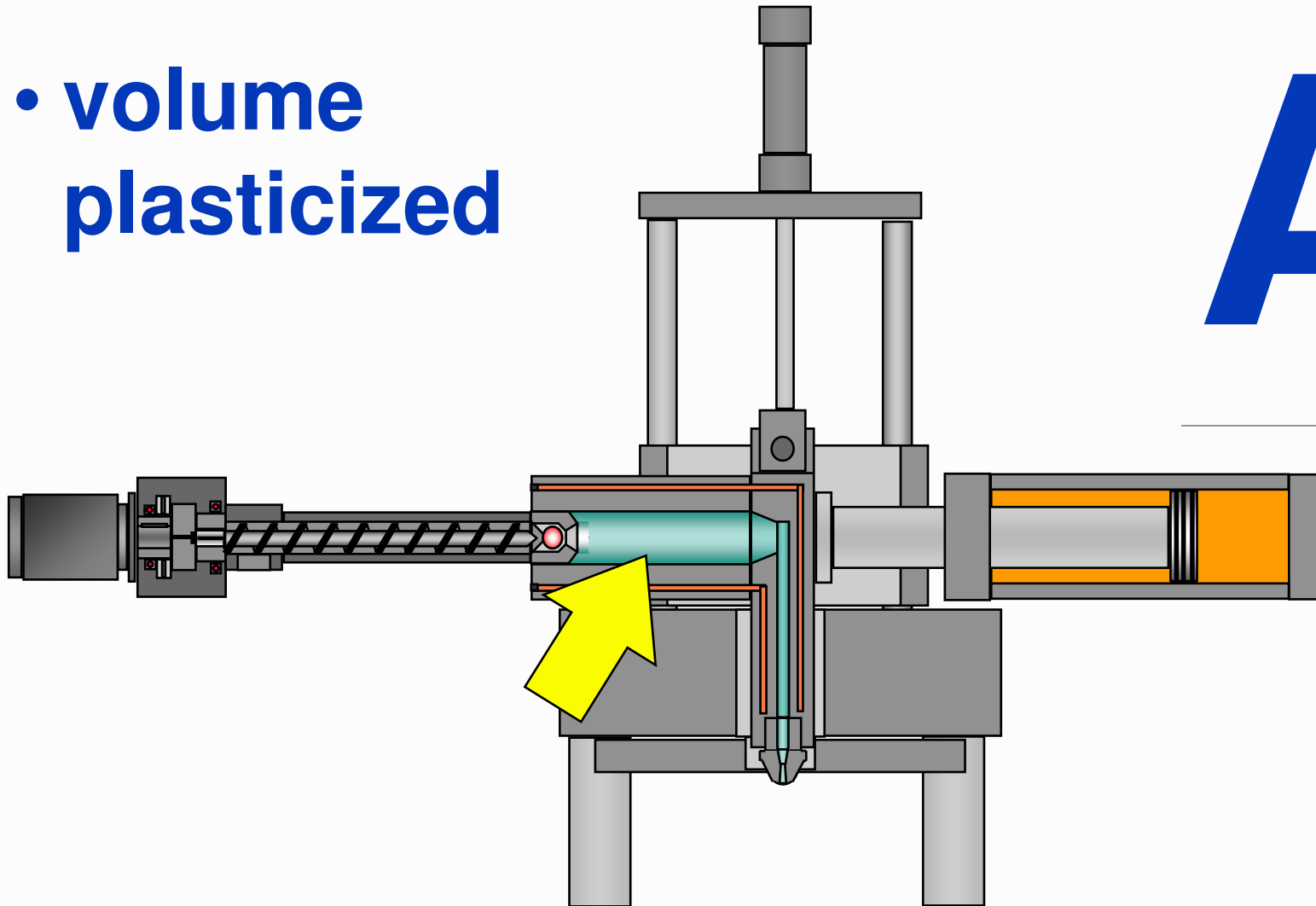


- Nozzle retracted

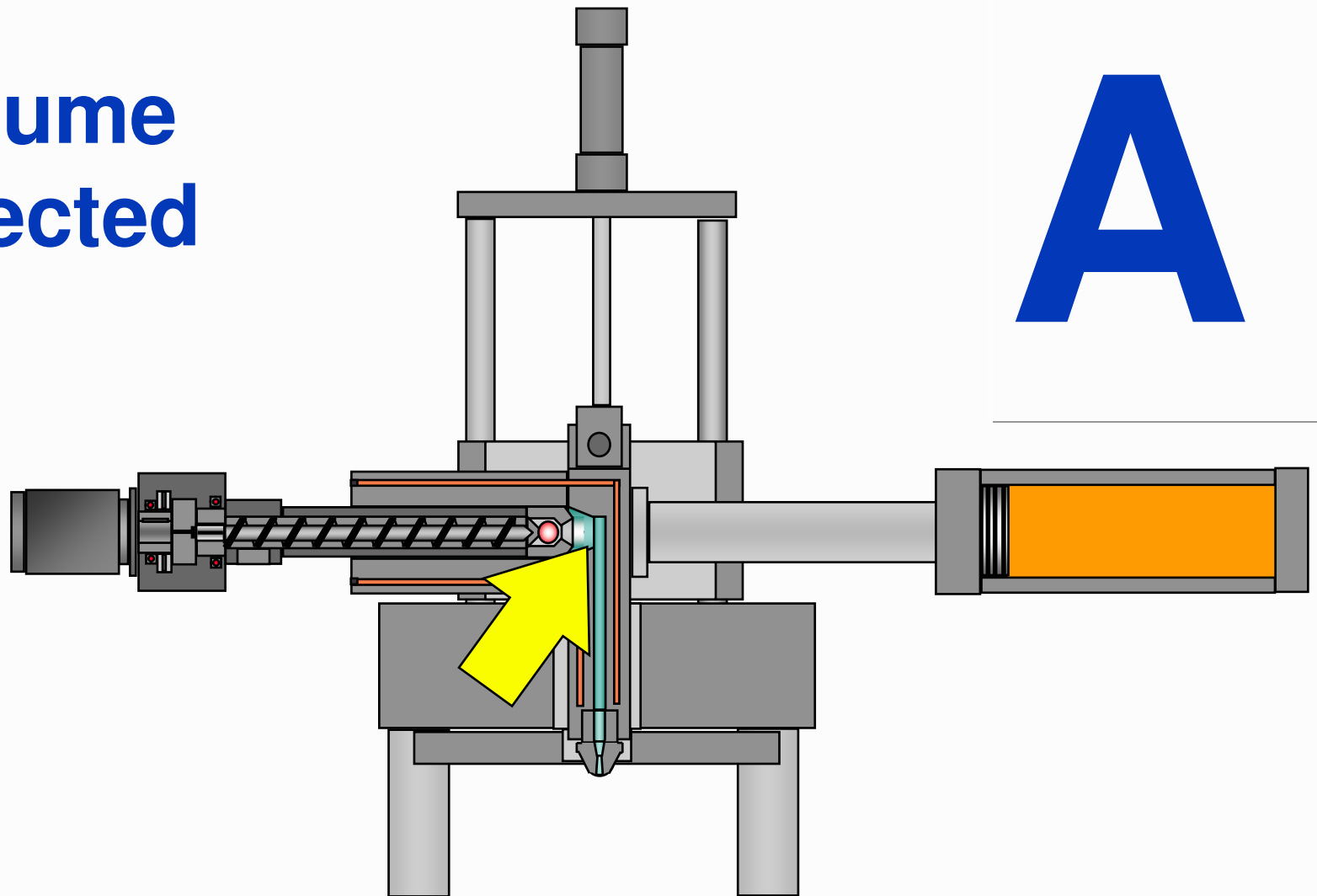


- volume plasticized

A

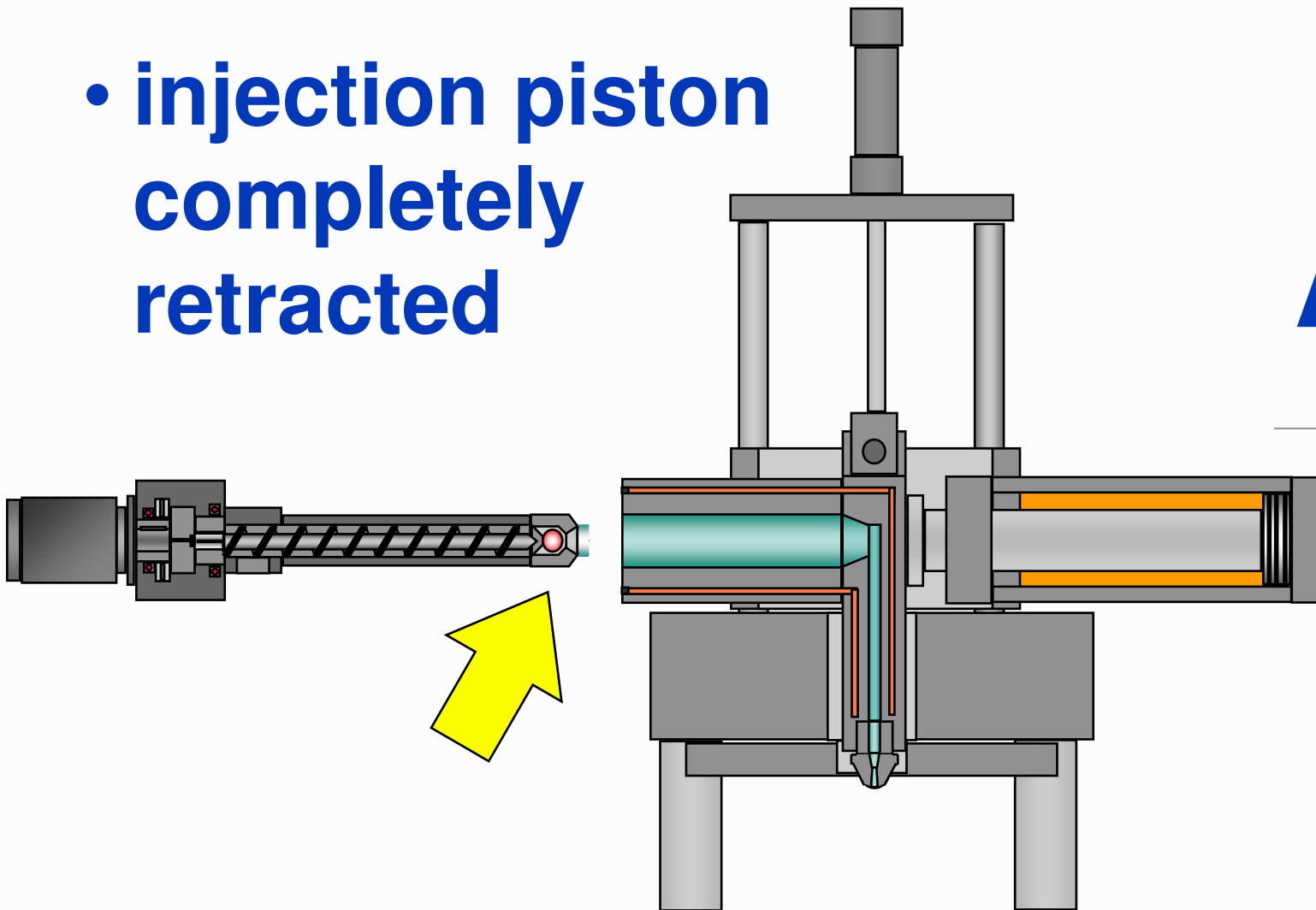


- volume injected



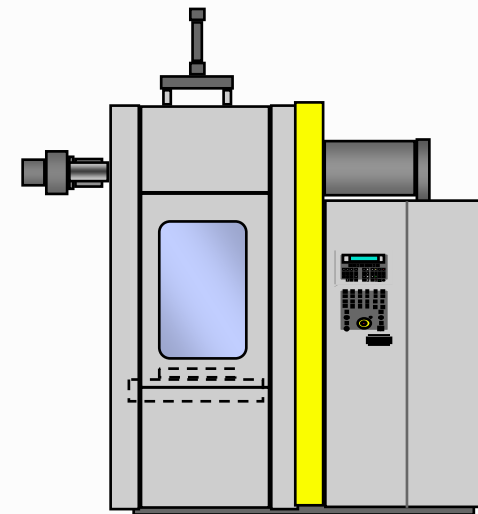
- injection piston completely retracted

A



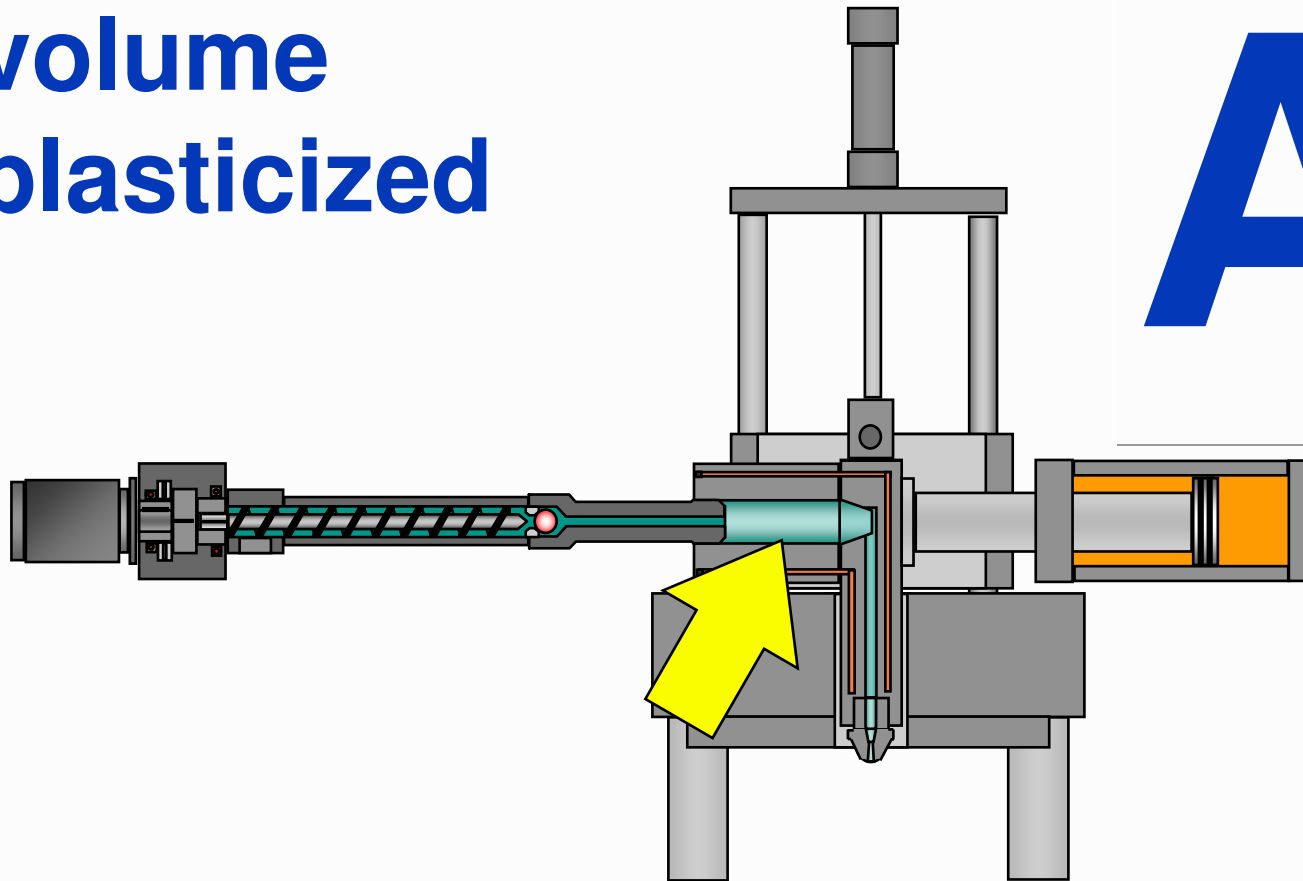
FIFO - System: A1

- for machine series
968.100 - 250-ZO
- injection volume 85 -
270 cm³
- injection pressure 2000
- 3000 bar



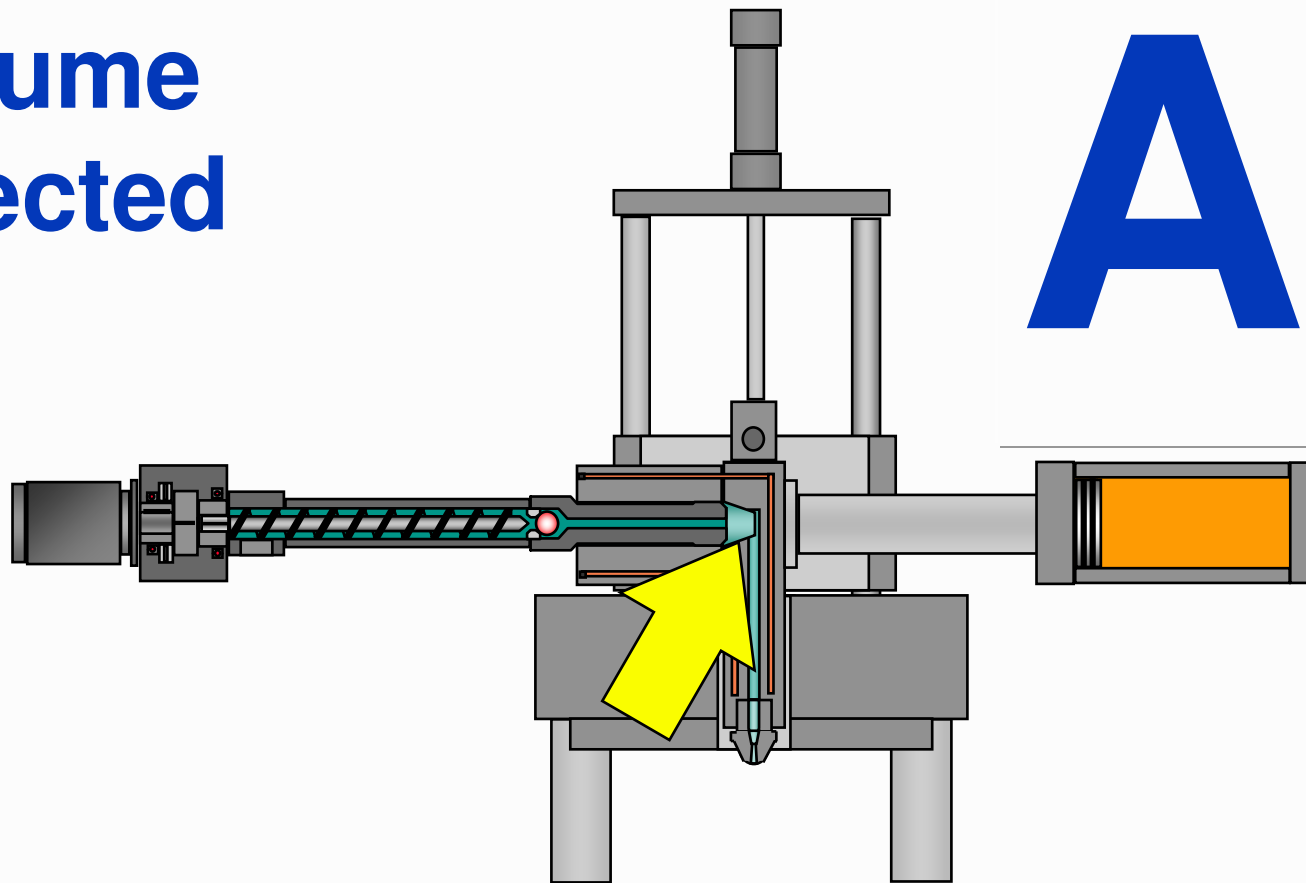
- volume plasticized

A1



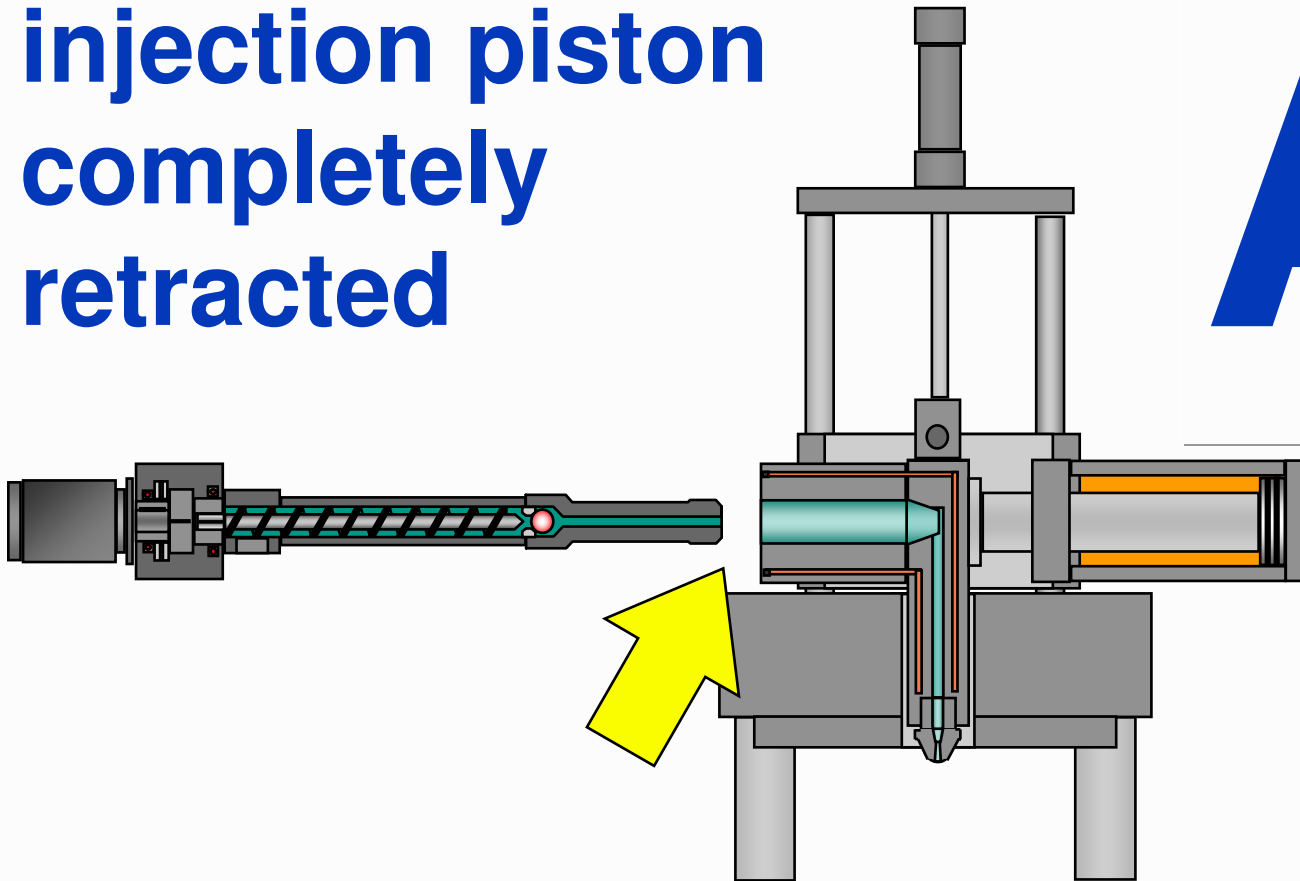
- volume injected

A1



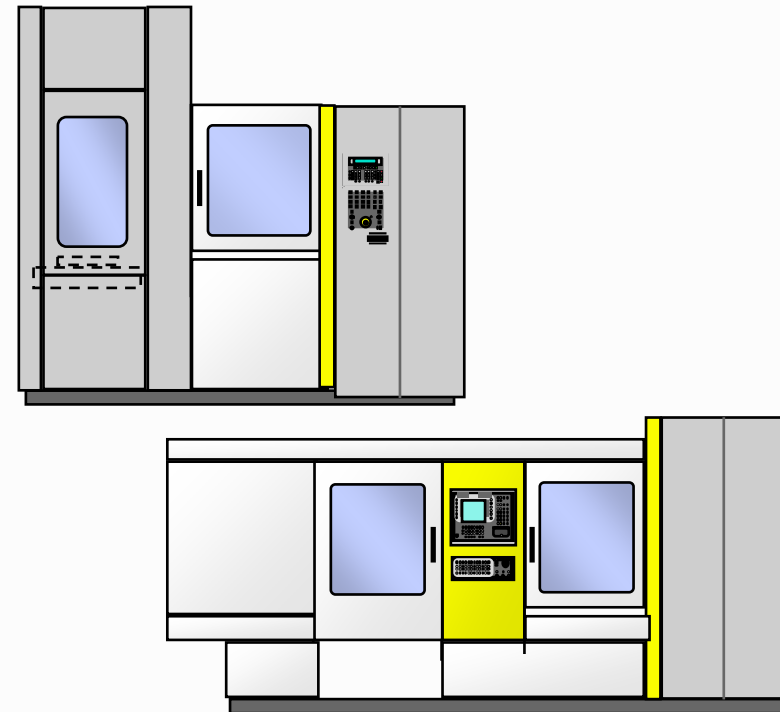
- injection piston completely retracted

A1



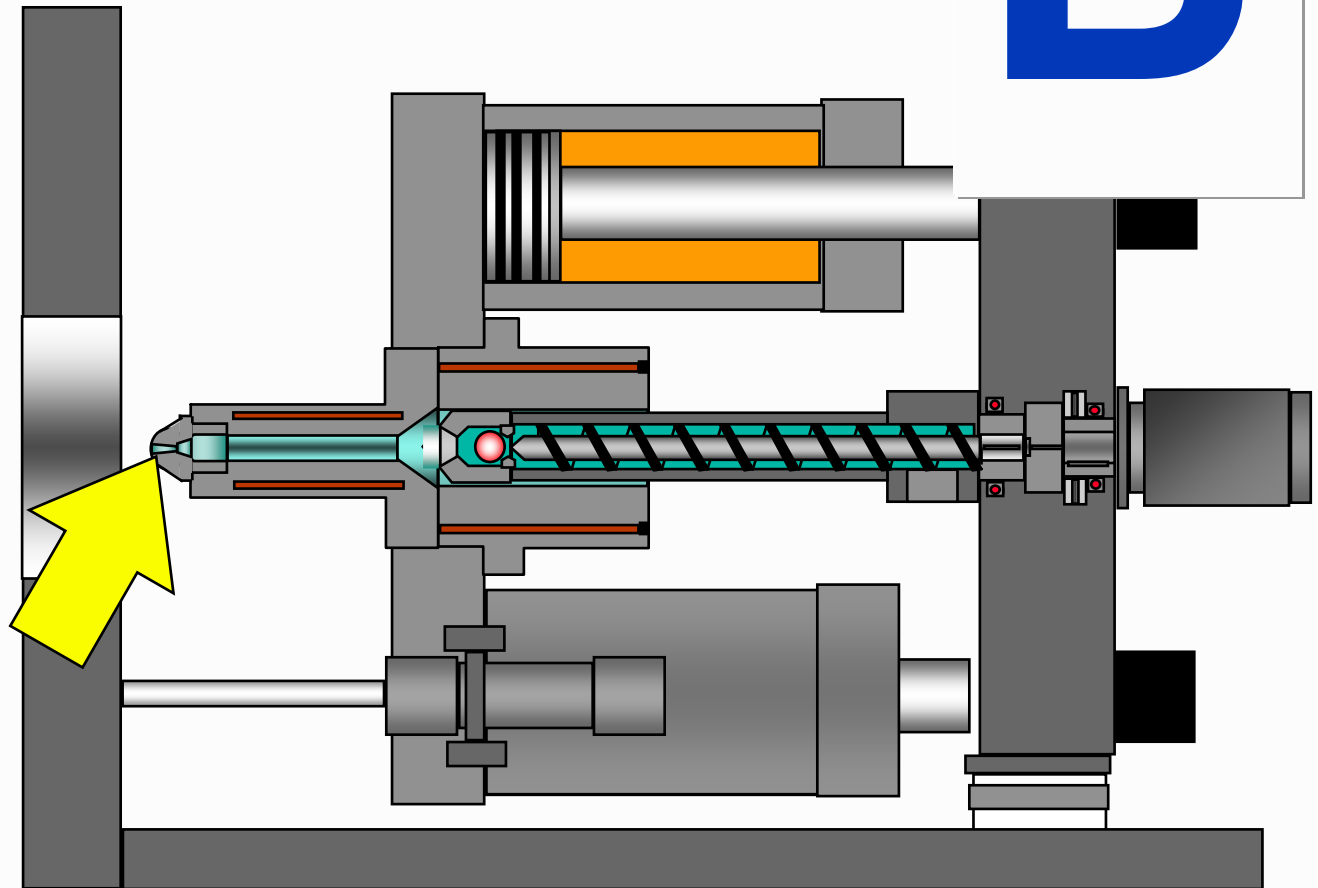
FIFO - System: B

- for machine series
968.100 - 1000-T
969.050 - 1000-Z
- injection volume 350 -
16000 cm³
- injection pressure 1700
- 2000 bar



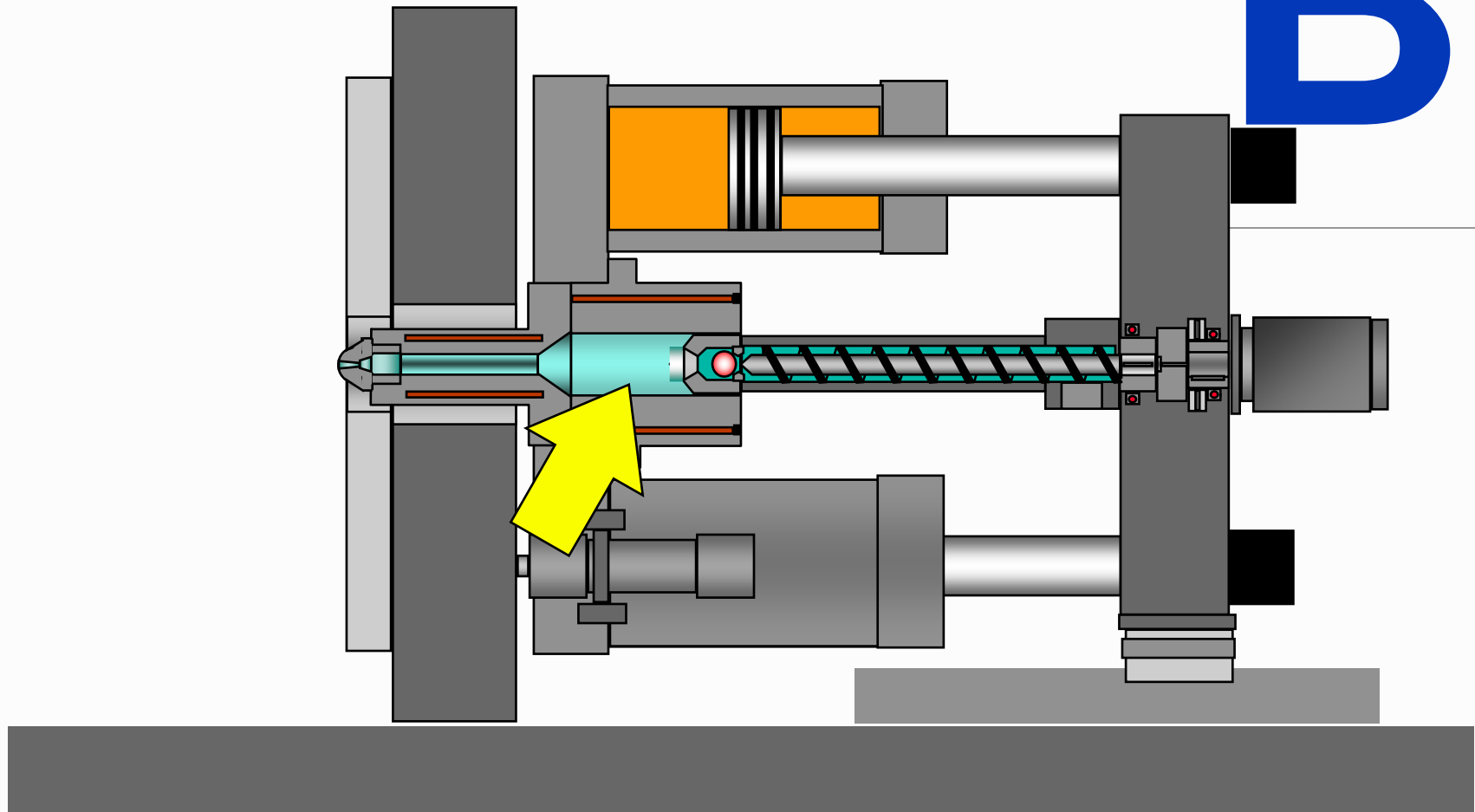
- Nozzle retracted

B



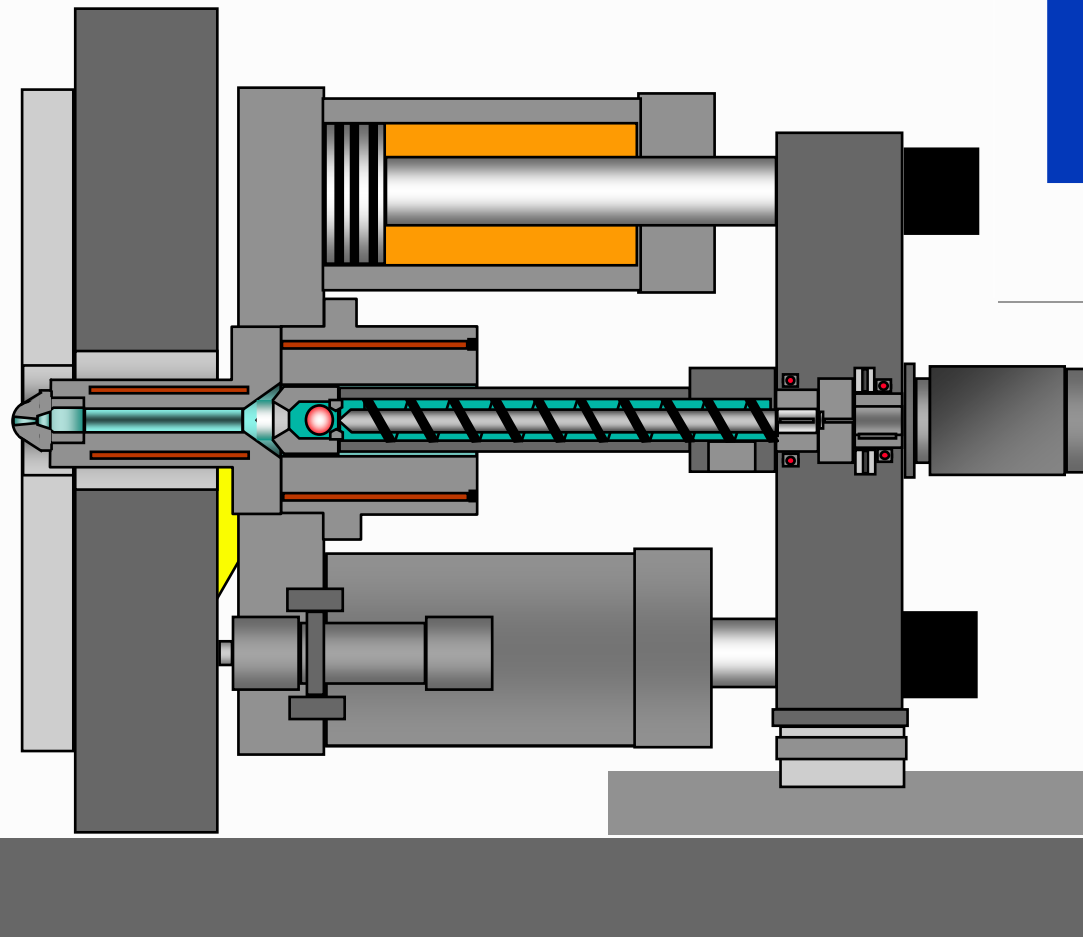
- volume plasticized

B

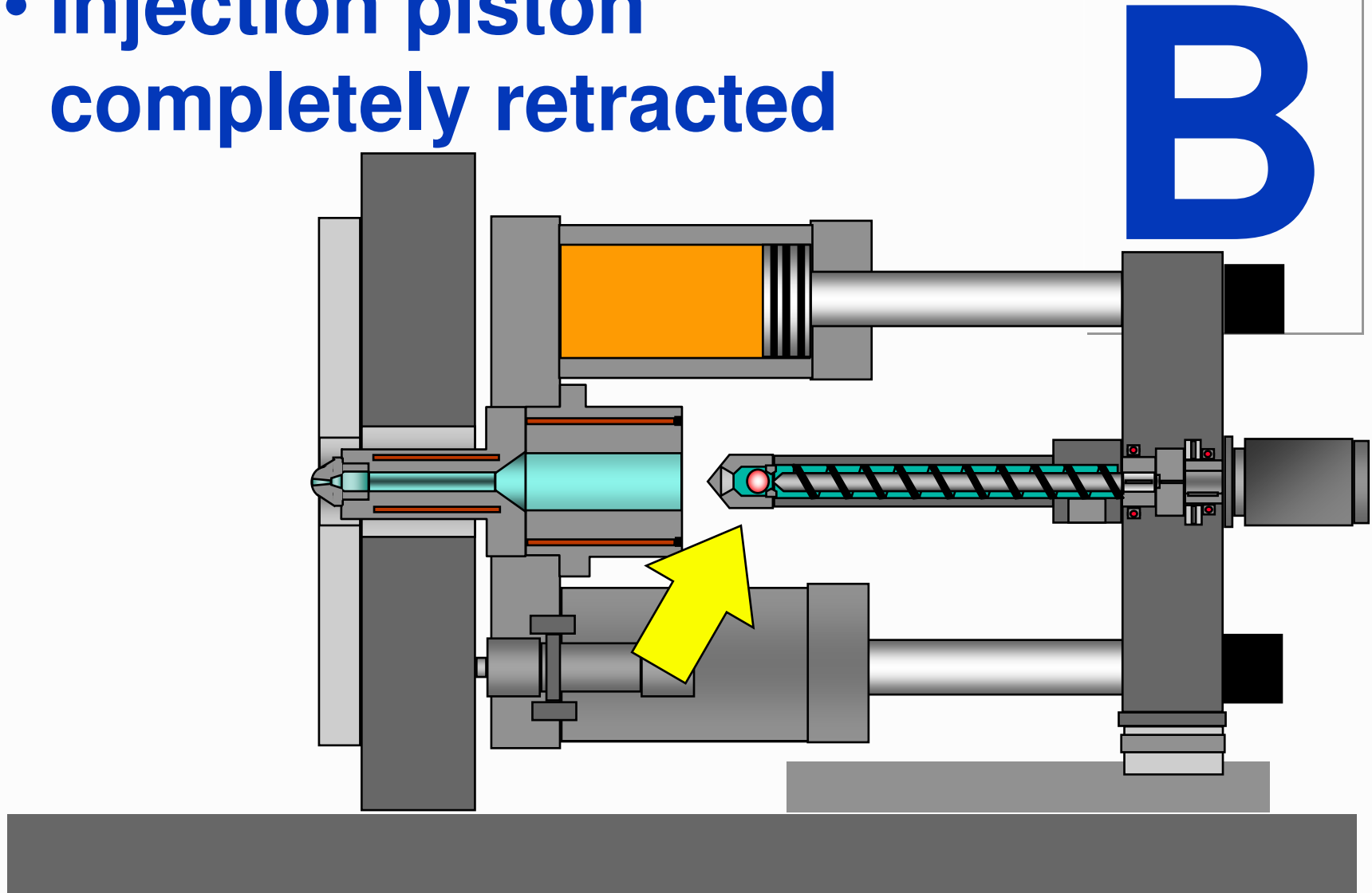


- volume injected

B

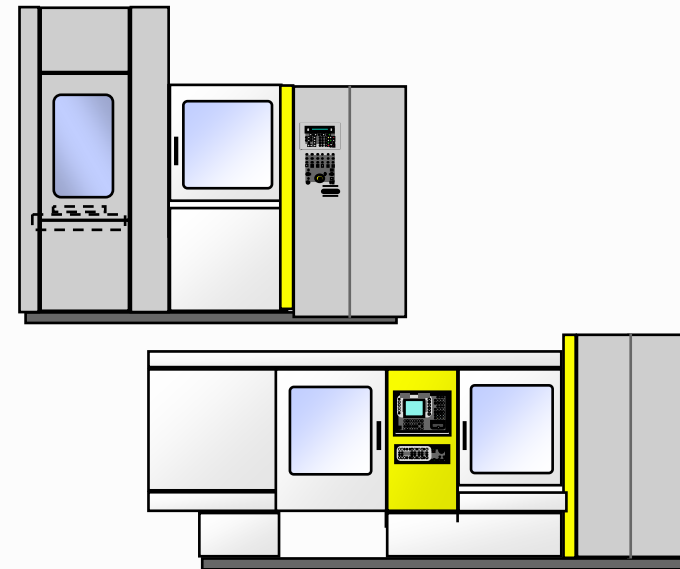


- injection piston completely retracted



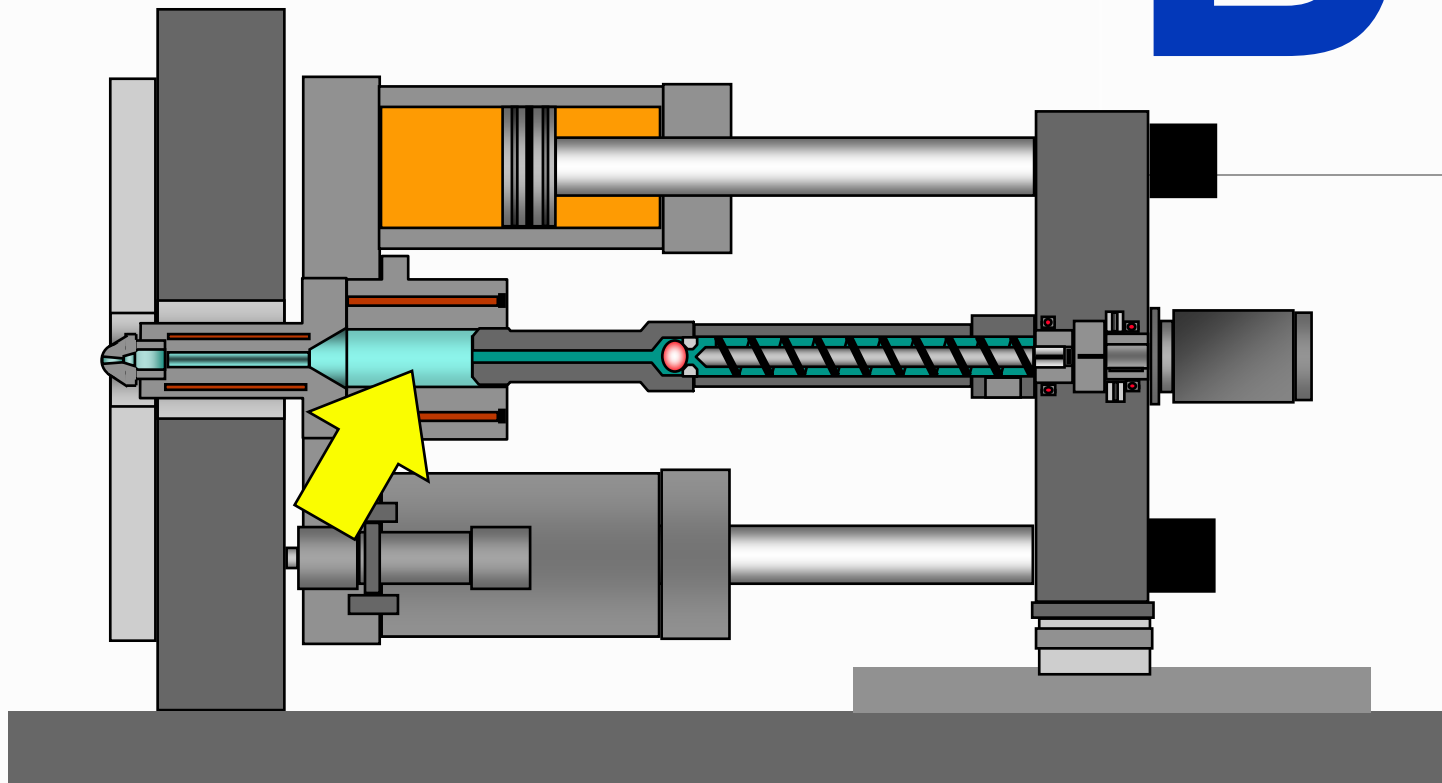
FIFO - System: B1

- for machine series
968.100 - 250-T 969.050
- 250-Z
- injection volume 85 -
270 cm³
- injection pressure 2000
and 3000 bar



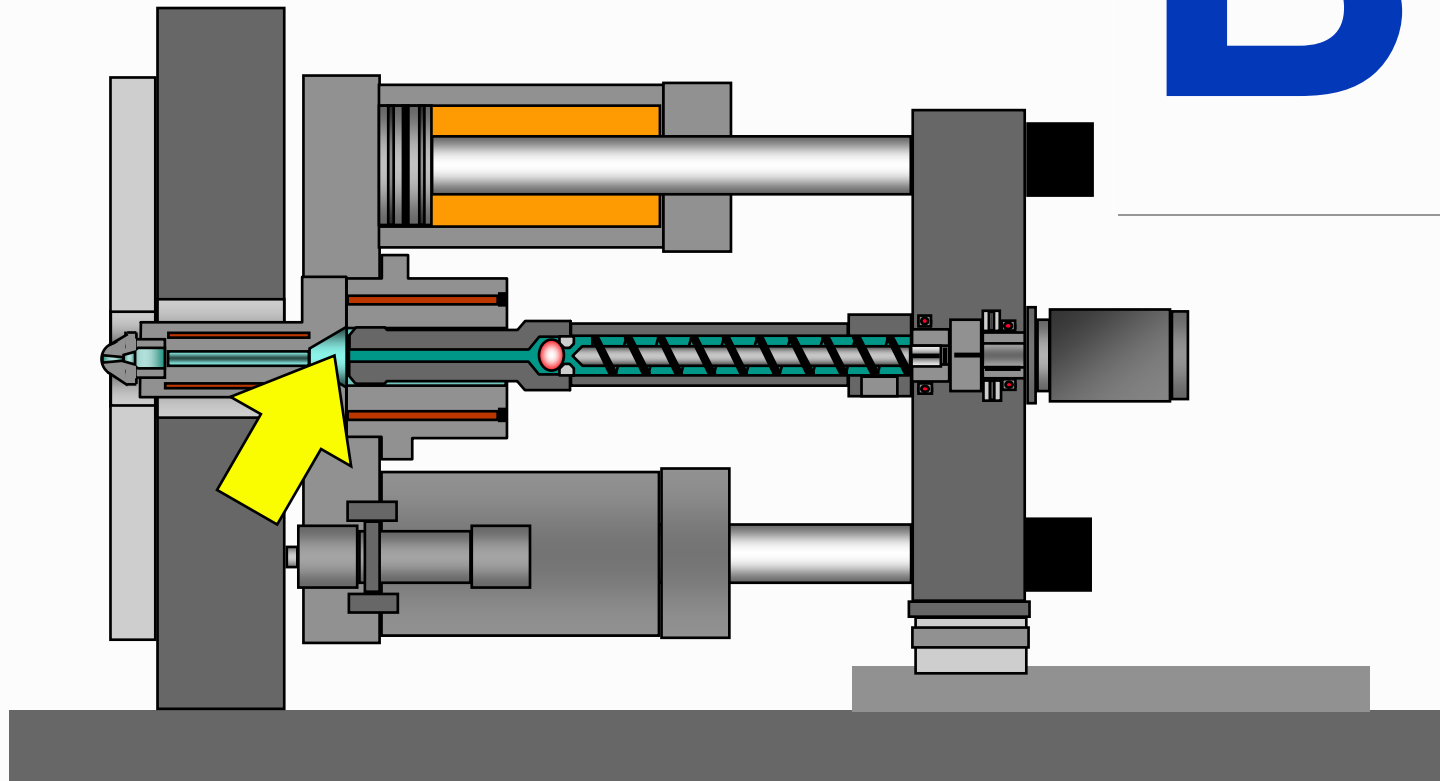
- volume plasticized

B1



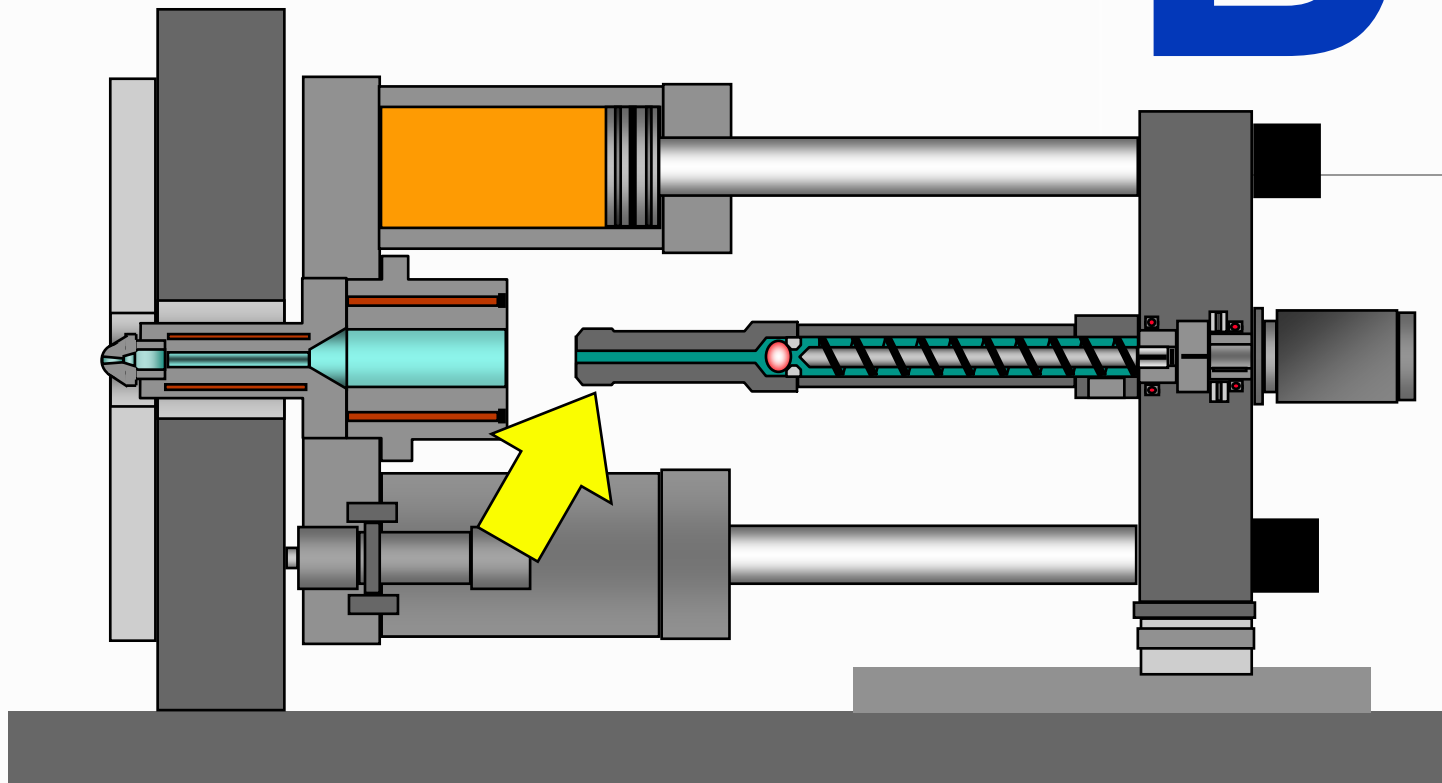
- **volume injected**

B1



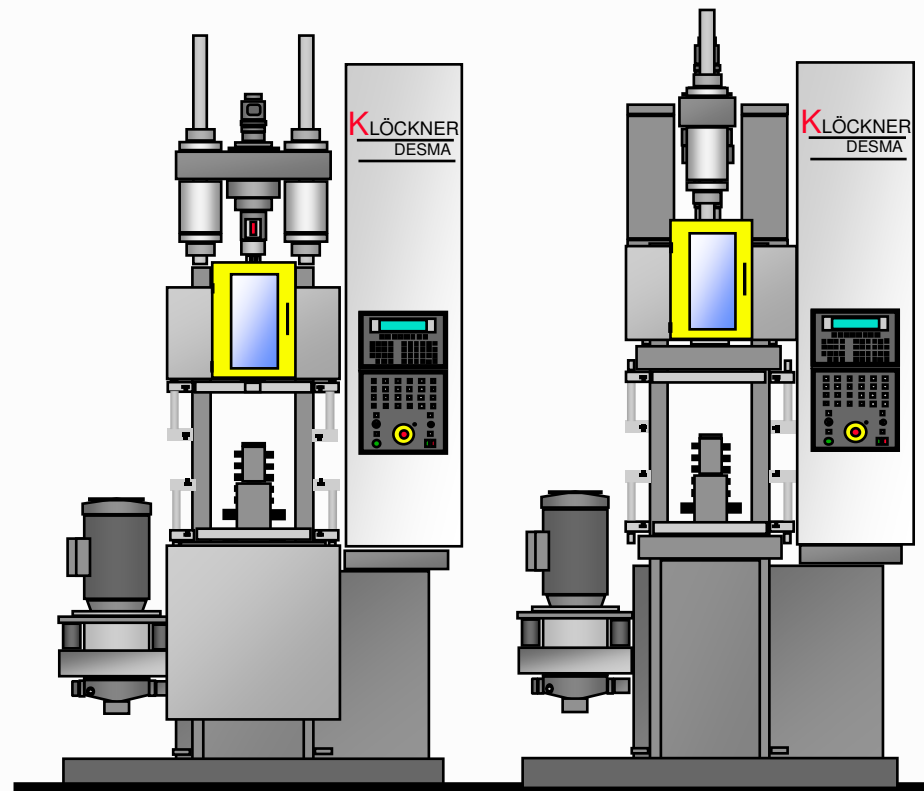
• injection piston
completely retracted

B1



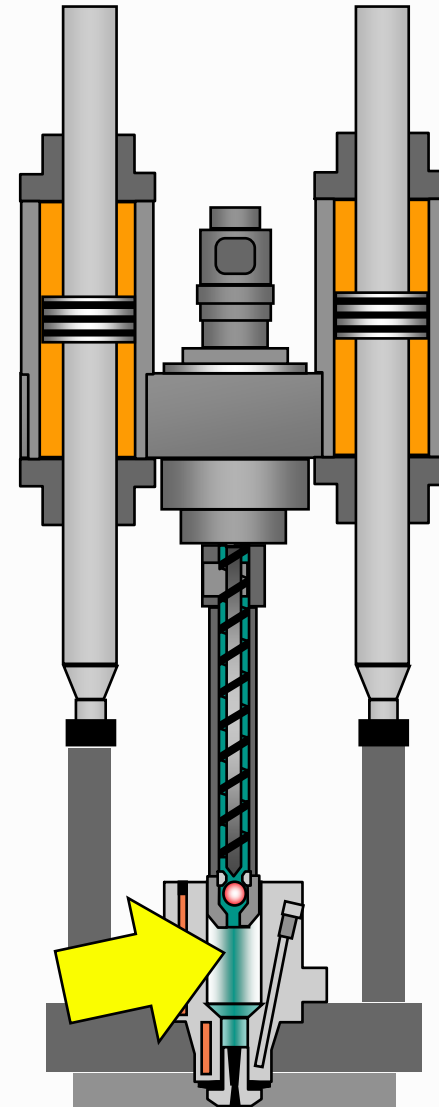
FIFO - System: C

- for machine series
956.100-160-ZO
957.100-160-ZO
- injection volume
exceeding 330 cm³
- injection pressure
1500 - 2000 bar



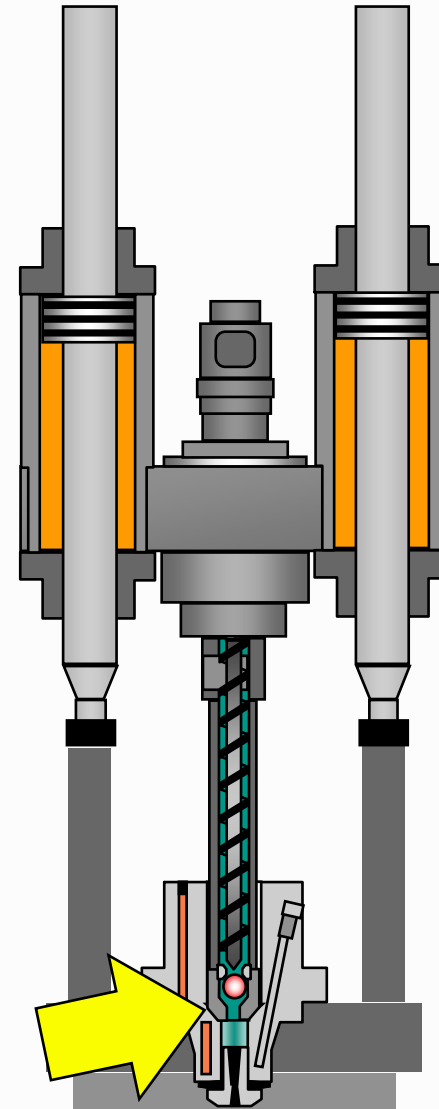
- volume plasticized

C



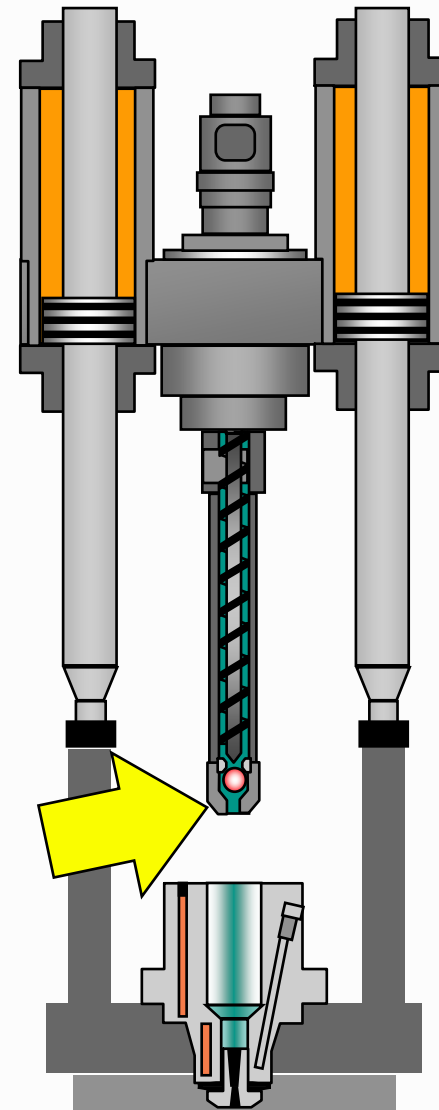
- volume injected

C



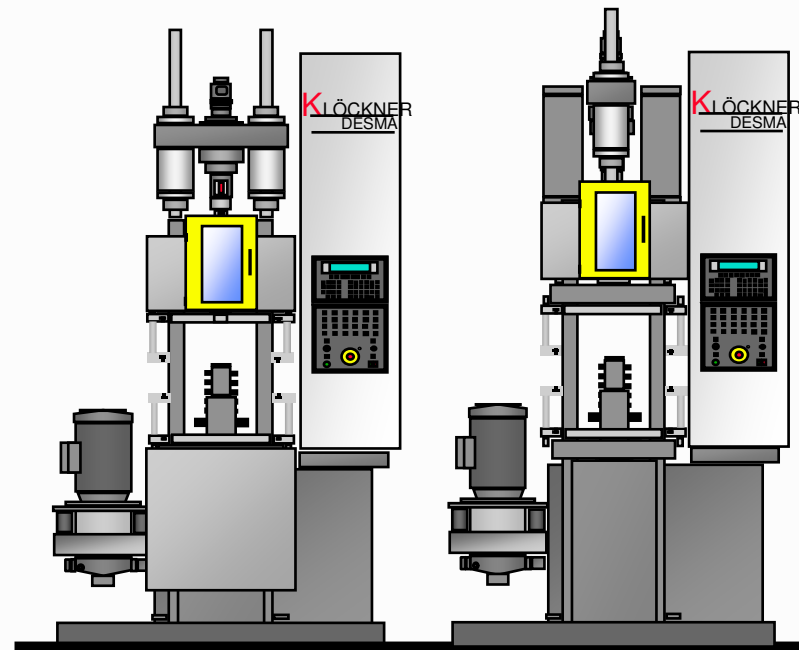
- injection piston completely retracted

C



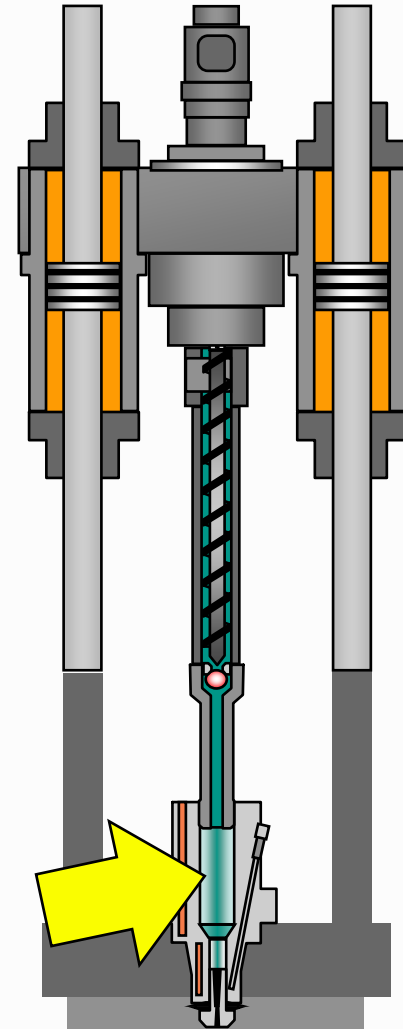
FIFO - System: C1

- for machine series
956.025-050-ZO
957.025-050-ZO
- injection volume
85 - 330 cm³
- injection pressure
1550 - 2400 bar



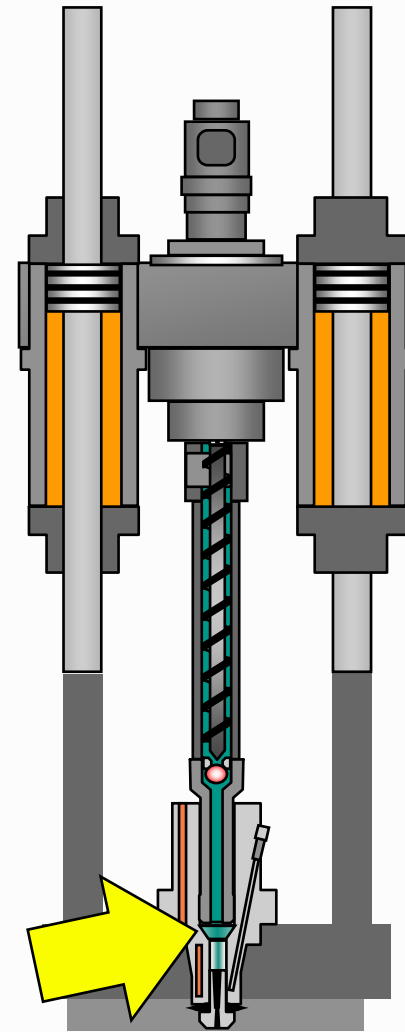
- volume plasticized

C1



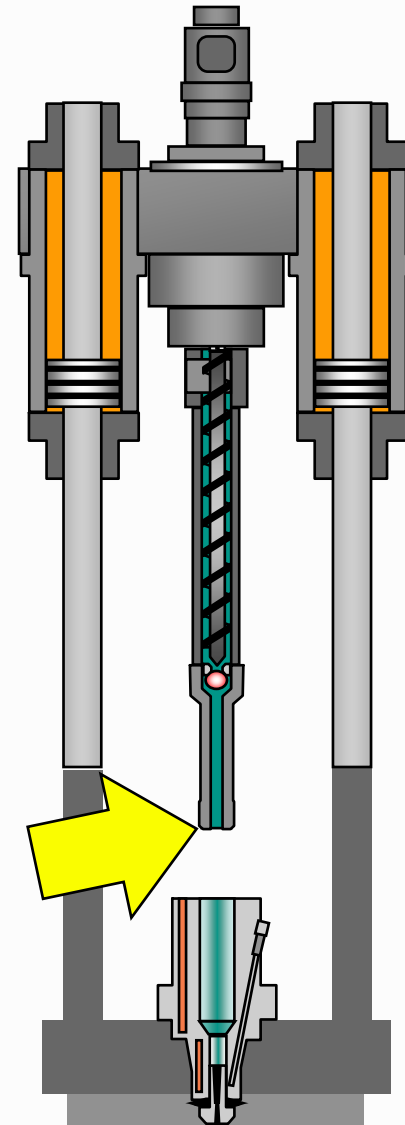
- volume injected

C1



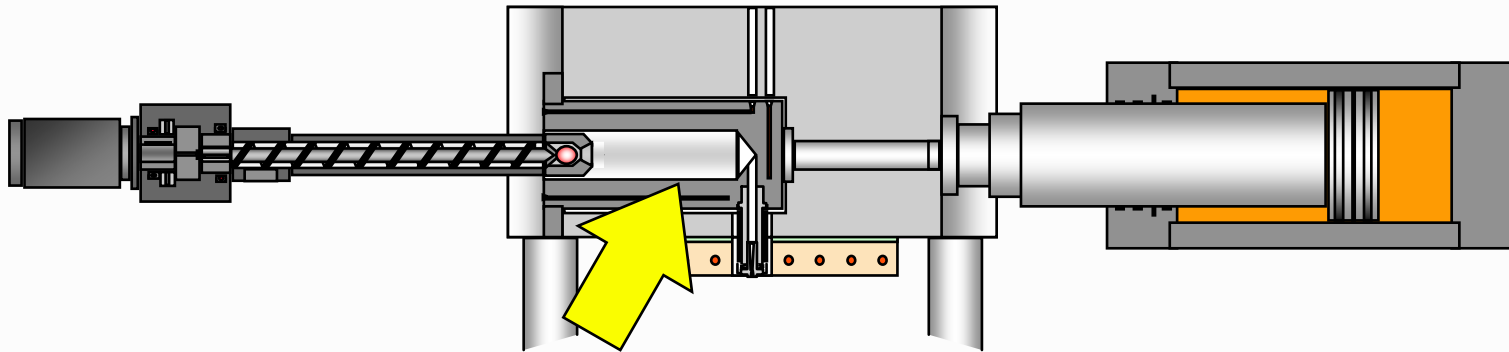
- injection piston completely retracted

C1



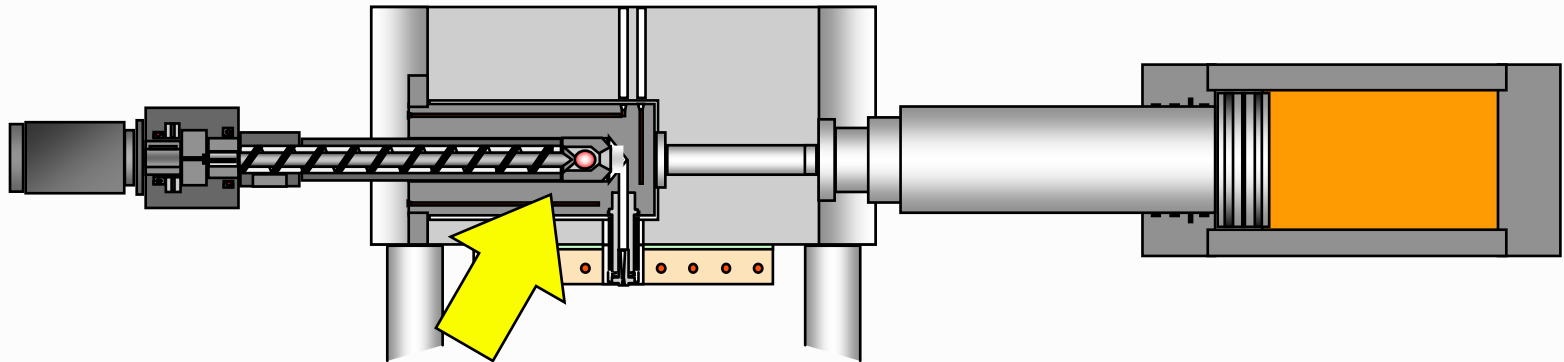
- Nozzle not retractable
- Volume plasticized

D



- Volume injected

D



- Injection piston completely retracted.

D

